

1100-SERIES

Pre-Assembled Duplex Sewage System

Liberty Pumps®

A Family and Employee Owned Company

30" x 36" Basin

110 Gallon capacity

2" or 3" Discharges available

For multi-unit residential and commercial installations requiring the security of two pumps

Factory pre-assembled with LE-Series solids handling pumps or PRG-Series grinder pumps... You select the pump and control panel – we build the system!

Features

- Heavy duty structural foam basin; 30" diameter x 36" high; 110 gallon capacity
- Completely assembled system with piping included
- Floats for control unit factory pre-set*
- 4" inlet hub with rubber pipe seal
- Heavy, 1/4" enamel coated steel cover with separate pump access covers and a 10" diameter inspection cover (Fiberglass cover assembly available)
- Pump restraints "torque stops" hold pumps securely in proper position
- PRG grinder models come with 2" discharge only



*NOTE: 1100-Series systems require a separately ordered control panel for automatic operation and alternation of pumps. Floats are included as part of the control panel and are pre-mounted in system when the control is ordered with the base 1100-Series unit. See AE-series literature or consult factory for proper control selection.



innovate. evolve.

1100-Series Duplex Sewage System

System

Factory pre-assembled with pumps, discharge piping and floats
 Floats pre-mounted in basin
 28 gallon pump cycle (factory set)
 Floats tethered to a removable stand pipe/access cover assembly

Basin

Structural foam
 Total capacity of 110 U.S. gallons
 Internal dimensions 30" diameter X 36" deep
 4" inlet hub provided
 Molded "torque-stops" to secure pumps in proper position

Cover

Heavy-duty 1/4" plate steel, enamel coated on both sides
 34" diameter
 Either 2" or 3" discharge and vent flange
 Two 16" diameter pump access openings
 10" inspection cover
 Integral stand pipe for float tethering
 All necessary bolts and gaskets for mounting to basin provided

Pumps

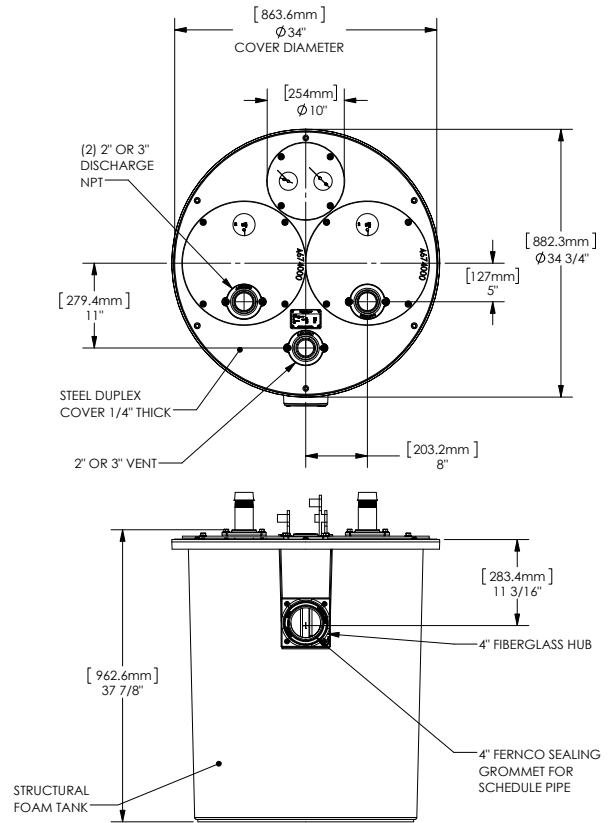
See individual LE-Series or PRG-Series literature sheet for specifications on the pumps selected

2" Discharge Models

MODEL	HP	VOLTS	PHASE	WEIGHT IN LBS
1102/LE41M	4/10	115	1	200
1102/LE51M	1/2	115	1	200
1102/LE52M	1/2	208-230	1	200
1102/LE71M	3/4	115	1	240
1102/LE72M	3/4	208-230	1	240
1102/LE73M	3/4	208-230	3	250
1102/LE74M	3/4	440-480	3	260
1102/LE102M	1	208-230	1	250
1102/LE103M	1	208-230	3	260
1102/LE104M	1	440-480	3	260
1102/LE105M	1	575	3	260
1102/LEH102M	1	230	1	260
1102/LEH103M	1	208-230	3	260
1102/LEH104M	1	440-480	3	260
1102/LEH105M	1	575	3	260
1102/LEH152M	1.5	208-230	1	300
1102/LEH153M	1.5	208-230	3	310
1102/LEH154M	1.5	440-480	3	310
1102/LEH155M	1.5	575	3	310
1102/LEH202M	2	230	1	300
1102/LEH203M	2	208-230	3	300
1102/LEH204M	2	440-480	3	300
1102/LEH205M	2	575	3	300
1102/PRG101M	1	115	1	240
1102/PRG102M	1	230	1	240

10' cord standard on smaller models with option to add 25' cord. 25' cord standard on larger and 3-phase models. For 3" discharge models change "1102" to "1103." Example: 1103/LE41M. Note: PRG models not available with 3" discharge.

Dimensional Data



IMPORTANT: Control panel must be ordered separately.

AE-Series panels must be matched to the amperage of the pumps selected. See AE-Series literature or consult factory for proper selection. 800-543-2550

For 3" discharge models, change the model prefix to 1103/... Example: 1103/LE51M (add 12 lbs to wgt, 3" not available on PRG models.)

Individual part numbers for basins & covers

Part #	Description
K003000	30" x 36" basin, with inlet hub
K001267	Cover, 2" discharge & vent with blank inspection cover
K001268	Cover, 3" discharge & vent with blank inspection cover
K001203	10" inspection cover with float tree for 3-float control (floats not included)