

Q4800-SERIES

Quadplex Grinder Package

Liberty Pumps®

A Family and Employee Owned Company

Factory Assembled 2 hp Grinder Pumps 48" Diameter System 3" Discharge

Features

- Redundancy with four 2 hp Omnivore® Grinder pumps
- Higher flow rates up to 200 gpm
- Comparable flow rates to higher horsepower grinder systems
- Easier to service and only 25% flow loss while pump is being serviced
- 6" Inlet hub with rubber pipe seal
- Factory pre-assembled guide rail system
- Galvanized guide rail piping (stainless optional)
- Factory pre-assembled Schedule 80 PVC discharge piping with integral check valves and ball valves
- Fiberglass basin with anti-flotation collar
- Solid green fiberglass cover standard
- Pre-mounted stainless-steel supports and brackets
- Pre-mounted NEMA 4X junction box for electrical connections
- Stainless-steel chain for pump lift-out

*Other custom basin sizes available; consult factory



6" inlet
(unmounted)



Available Heights
84"
96"
120"



Available with
LSG or LSGX-Series
Grinders



innovate. evolve.

Q4800-Series

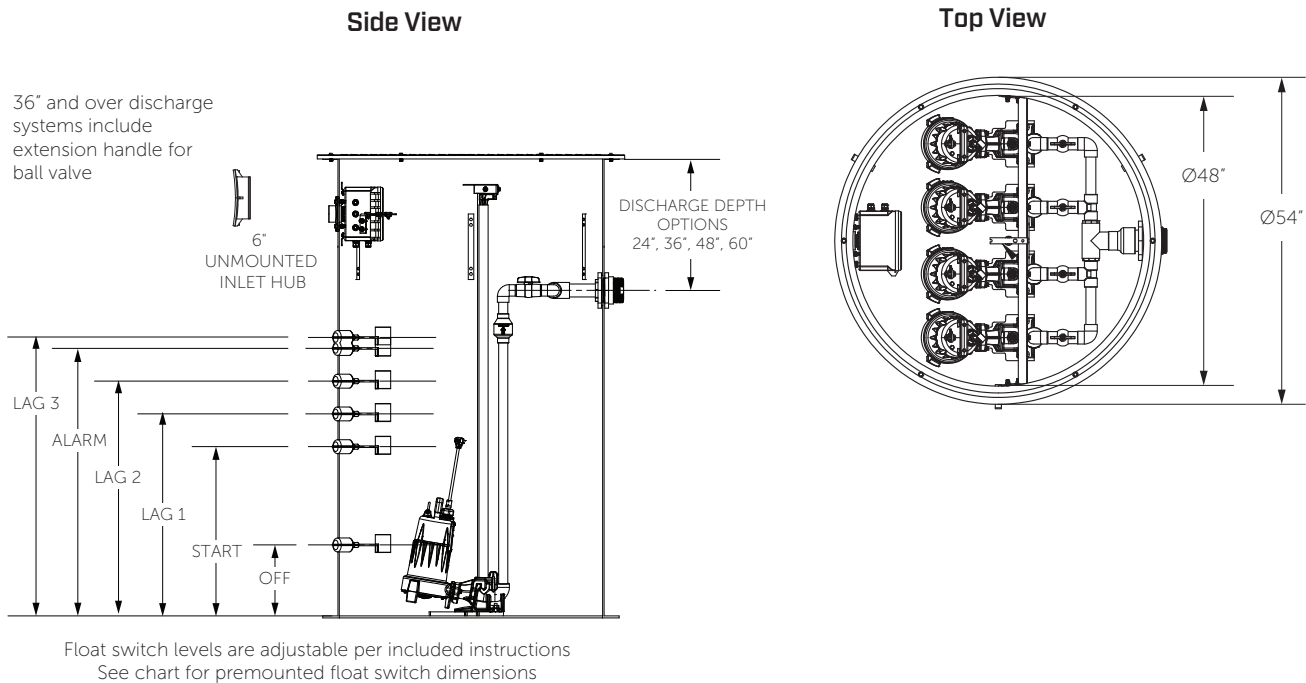
Features

- 2 hp Grinder pumps
- Choose from single-stage LSG or two-stage LSGX-Series pumps
- Available in a wide range of voltages
- 3" Discharge (exiting basin)
- 25' Power cable length

(See LSG or LSGX-Series literature for complete pump specifications.)



Dimensional Data

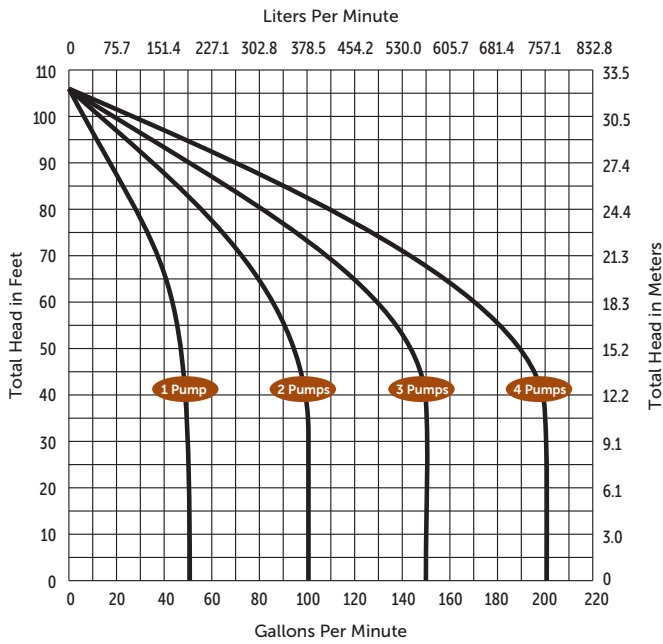


Galvanized guide rails standard. For stainless-steel rails add "-S" to model number.
Example: Q4896LSG-S

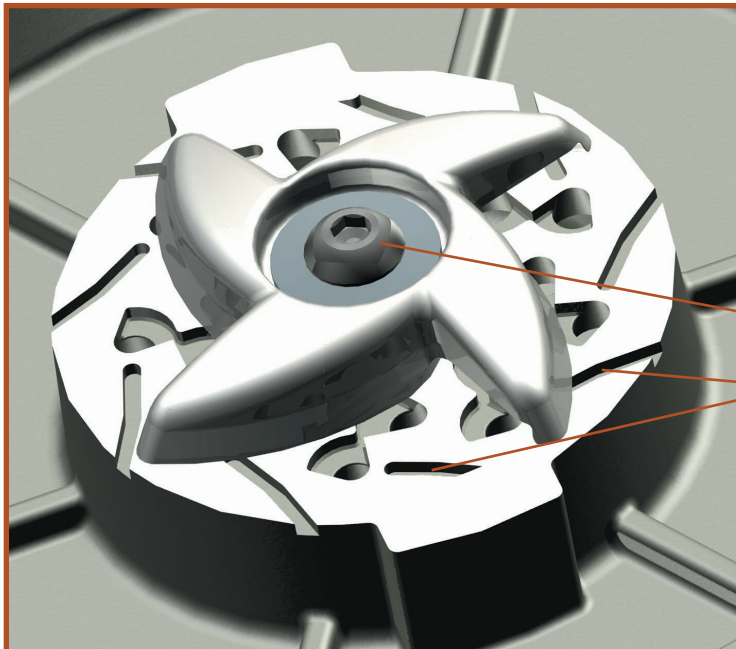
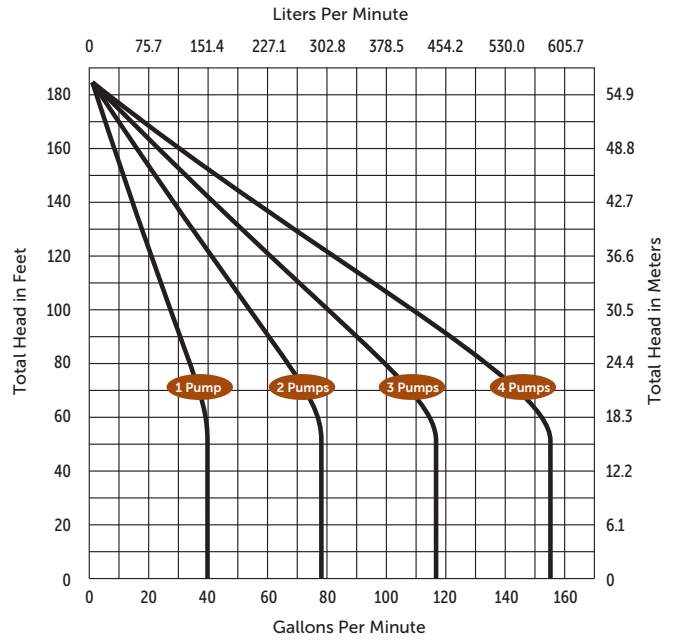
Factory Set Control Levels

MODEL	OFF LEVEL	ON LEVEL	LAG LEVEL	LAG 2 LEVEL	ALARM LEVEL	LAG 3 LEVEL	VOLUME PER PUMP CYCLE	TOTAL BASIN CAPACITY
Q4884	13" (33 cm)	31" (79 cm)	37" (94 cm)	43" (109 cm)	49" (124 cm)	51" (130 cm)	164.5 gallons	658 gallons
Q4896	13" (33 cm)	37" (94 cm)	43" (109 cm)	49" (124 cm)	55" (140 cm)	57" (145 cm)	188 gallons	752 gallons
Q48120	13" (33 cm)	43" (109 cm)	49" (124 cm)	55" (140 cm)	61" (155 cm)	63" (160 cm)	235 gallons	940 gallons

LSG200-Series Single-Stage Performance Curve



LSGX200-Series Two-Stage Performance Curve



V-Slice® Cutter Technology

Superior cutting system provides improved shredding performance over radial cutters. V-pattern provides up to 108 alternated cuts per revolution. Entire cutting system made of 440 stainless steel hardened to 58Rc.

Recessed cutter bolt eliminates wadding

Exclusion cleanout slots and back relief clears debris from under cutter

Patent: See www.LibertyPumps.com/patents

Q4800-Series

48" Diameter fiberglass basin available in heights of 84", 96", and 120". Systems listed below are shipped with a standard QE-Series control panel. Consult factory for other custom configurations and basin sizes.

MODEL	VOLTS	PHASE	WEIGHT	PANEL
Q4884 – 48" x 84" Basin				
(Discharge depth is available in 24", 36", 48", or 60" from top of basin. Add -24, -36, -48, or -60 to model when ordering)				
Q4884LSG202 (-24, -36, -48, or -60)	208/230	1	1309 lbs	QE24H=6
Q4884LSG203 (-24, -36, -48, or -60)	208/230	3	1319 lbs	QE34=6-511
Q4884LSG204 (-24, -36, -48, or -60)	440-480	3	1319 lbs	QE34=6-171
Q4884LSG205 (-24, -36, -48, or -60)	575	3	1319 lbs	QE54=6-161
Q4884LSGX202 (-24, -36, -48, or -60)	208-230	1	1333 lbs	QE24H=6
Q4884LSGX203 (-24, -36, -48, or -60)	208/230	3	1343 lbs	QE34=6-511
Q4884LSGX204 (-24, -36, -48, or -60)	440-480	3	1343 lbs	QE34=6-171
Q4884LSGX205 (-24, -36, -48, or -60)	575	3	1343 lbs	QE54=6-161
Q4896 – 48" x 96" Basin				
(Discharge depth is available in 24", 36", 48", or 60" from top of basin. Add -24, -36, -48, or -60 to model when ordering)				
Q4896LSG202 (-24, -36, -48, or -60)	208/230	1	1357 lbs	QE24H=6
Q4896LSG203 (-24, -36, -48, or -60)	208/230	3	1367 lbs	QE34=6-511
Q4896LSG204 (-24, -36, -48, or -60)	440-480	3	1367 lbs	QE34=6-171
Q4896LSG205 (-24, -36, -48, or -60)	575	3	1367 lbs	QE54=6-161
Q4896LSGX202 (-24, -36, -48, or -60)	208-230	1	1381 lbs	QE24H=6
Q4896LSGX203 (-24, -36, -48, or -60)	208/230	3	1391 lbs	QE34=6-511
Q4896LSGX204 (-24, -36, -48, or -60)	440-480	3	1391 lbs	QE34=6-171
Q4896LSGX205 (-24, -36, -48, or -60)	575	3	1391 lbs	QE54=6-161
Q48120 – 48" x 120" Basin				
(Discharge depth is available in 24", 36", 48", or 60" from top of basin. Add -24, -36, -48, or -60 to model when ordering)				
Q48120LSG202 (-24, -36, -48, or -60)	208/230	1	1435 lbs	QE24H=6
Q48120LSG203 (-24, -36, -48, or -60)	208/230	3	1445 lbs	QE34=6-511
Q48120LSG204 (-24, -36, -48, or -60)	440-480	3	1445 lbs	QE34=6-171
Q48120LSG205 (-24, -36, -48, or -60)	575	3	1445 lbs	QE54=6-161
Q48120LSGX202 (-24, -36, -48, or -60)	208-230	1	1459 lbs	QE24H=6
Q48120LSGX203 (-24, -36, -48, or -60)	208/230	3	1469 lbs	QE34=6-511
Q48120LSGX204 (-24, -36, -48, or -60)	440-480	3	1469 lbs	QE34=6-171
Q48120LSGX205 (-24, -36, -48, or -60)	575	3	1469 lbs	QE54=6-161



QE24H=6
Model Shown



QE-Series Panels (Standard)

Provide reliable alternating operation for four pumps with standard features that include:

- HOA switches
- NEMA 4X enclosure
- Circuit breakers (single-phase) or overloads (three-phase)
- Visual and audible alarm
- Pump run indicator lights
- Auxiliary contacts
- Six level control floats
- Six float variable operation allows more multiple configurations to meet application needs
- Alternates between four pumps to share the load
- Use a three or four float operation to always run two pumps at a time where high flow is required (i.e. two lead pumps, and two lag pumps)
- Use a five or six float operation for true demand dosing and the control panels will operate as many pumps as required (i.e. one lead pump, and up to three lag pumps)

Specifications subject to change without notice.

Copyright © Liberty Pumps, Inc. 2020 All rights reserved. LLIT006752-R05/20

Liberty Pumps - 7000 Apple Tree Avenue - Bergen, New York 14416
Phone 800-543-2550 - Fax 585-494-1839 - www.LibertyPumps.com