

XFL50 and XFL70-SERIES

Explosion-proof Submersible Effluent Pumps for Hazardous Locations

Liberty Pumps®

A Family and Employee Owned Company

X-Series™

1/2 hp - XFL50-Series

3/4 hp - XFL70-Series

3/4" Solids Handling

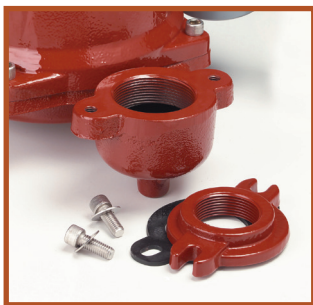
1-1/2" or 2" Discharge

Class 1, Division 1, Groups C and D
Class 1, Zone 1, Groups IIA and IIB

Features

- Heavy cast iron construction
- Dual shaft seals
- Seal fail sensor
- Semi-open cast iron impeller (bronze optional)
- 416 Stainless-steel rotor shaft
- 1-1/2" Threads provided at power cords for optional conduit connection

For use with ISS-Series and
ISD-Series intrinsically safe control panels.
Consult factory for proper control panel sizing.



Dual Sized Discharge
1-1/2" or 2"



Patent: See
www.LibertyPumps.com/patents



Meets FM Standards

innovate. evolve.

XFL50-Series and XFL70-Series

Impeller

Cast Iron (standard), bronze option available (order "B" models)

Motor

Submersible type, oil-filled, hermetically sealed

Motor Housing

Class 30 cast iron

Shaft

Dual seals, silicon carbide with BUNA-N elastomers and stainless-steel housing

Bearings

Upper and lower ball bearings

Thermal Protection

1-phase models - built into motor windings with automatic reset. 3-phase models require overloads in the control panel

Capacitor

External run capacitor required in panel control, 1-phase only

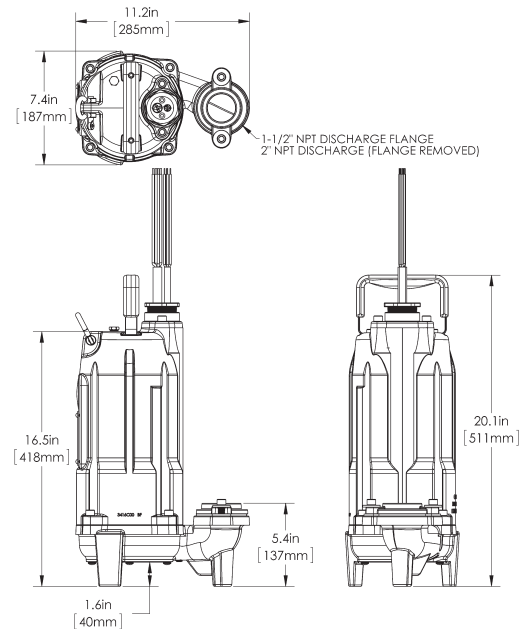
Seal Fail Sensor

Integral moisture sensing probe (functionality requires indicator in control panel – see ISS or ISD-Series control panels)

Max Fluid Temperature

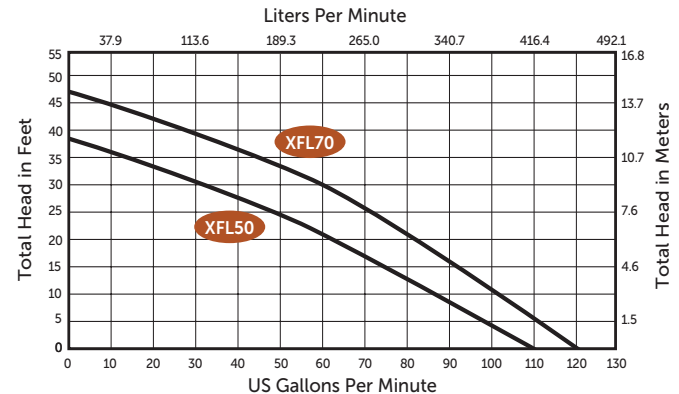
104°F (40°C) Continuous duty

Dimensional Data



Performance Curve

60 Hz, 3450 RPM



MODELS	HP	VOLTS	HZ	PHASE	FULL LOAD AMPS	CAPACITOR KIT	DISCHARGE SIZE	CORD LENGTH	WEIGHT
XFL51M-2	1/2	115	60	1	14	K001515	1-1/2" & 2"	25'	89 lbs
XFL52M-2	1/2	208/230	60	1	7	K001514	1-1/2" & 2"	25'	89 lbs
XFL53M-2	1/2	208/230	60	3	4.5	N/A	1-1/2" & 2"	25'	89 lbs
XFL54M-2	1/2	440-480	60	3	2.6	N/A	1-1/2" & 2"	25'	89 lbs
XFL55M-2	1/2	575	60	3	2.2	N/A	1-1/2" & 2"	25'	89 lbs
XFL71M-2	3/4	115	60	1	15	K001515	1-1/2" & 2"	25'	89 lbs
XFL72M-2	3/4	208/230	60	1	9	K001514	1-1/2" & 2"	25'	89 lbs
XFL73M-2	3/4	208/230	60	3	6	N/A	1-1/2" & 2"	25'	89 lbs
XFL74M-2	3/4	440-480	60	3	3	N/A	1-1/2" & 2"	25'	89 lbs
XFL75M-2	3/4	575	60	3	2.5	N/A	1-1/2" & 2"	25'	89 lbs

25' cords standard. For 35' or 50' cords, add "-3" or "-5" suffix respectively. Example: XFL52M-5

Cast iron impeller standard. For bronze impeller add "B" to model number. Example: XFL51BM-2

3-phase models require a control panel with overloads properly sized for the pump. See intrinsically safe control panels.

ISS-Series (simplex) or ISD-Series (duplex) literature for complete control panel information. Consult factory for proper control panel sizing.