

XLSG200-SERIES

Explosion-proof Submersible Grinder Pump for Hazardous Locations

Liberty Pumps®

A Family and Employee Owned Company

X-Series™

2 hp

1-1/4" Discharge

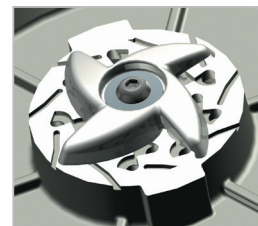
Class 1, Division 1, Groups C and D T4
Class 1, Zone 1, Groups IIA and IIB T4

For sewage applications where hazardous location ratings are required. Applications include groups of homes, commercial buildings, schools, lakefront development and systems requiring high pressure sewage pumping.

Features

- Patented V-Slice® Cutter Technology provides unmatched shredding performance of wipes, disposable cleaning pads, rags and other difficult solids
- 440 hardened stainless steel cutter and plate
- Stainless steel impeller
- Dual mechanical seals – silicon carbide with Viton® elastomers
- Seal fail sensor
- 1-1/2" threads provided at power cords for optional conduit connection

For use with ISS and ISD-Series (intrinsically safe) panels. Consult factory for proper panel sizing



V-Slice® Cutter Technology



Patent: See www.libertypumps.com/patents



innovate. evolve.

XLSG200-Series



Construction

Pump and Motor Housing: Heavy cast iron - Class 30

Impeller: Stainless Steel

Motor: Submersible type, oil-filled, hermetically sealed

Shaft: 300 Series Stainless Steel

Bearings: Ball bearings upper and lower

Thermal Protection: Single-phase models use integrated thermal protection with automatic reset; 3-phase models require overload relays in the pump control panel

Capacitor: Single-phase pumps require start and run capacitors as well as a start relay which is located in the pump control panel

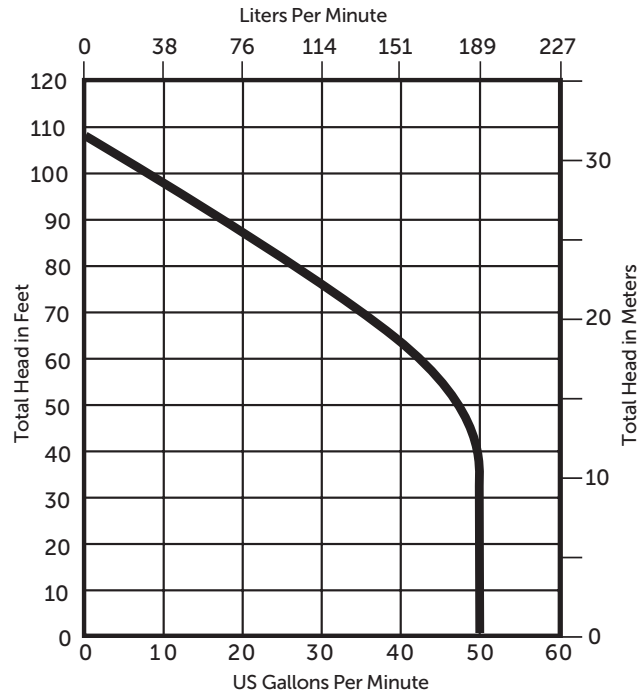
Shaft Seal: Dual mechanical seals – silicon carbide with Viton® elastomers

Seal Fail Sensor: Integral moisture sensing probe (functionality requires indicator in panel – see ISS or ISD-Series panels)

Maximum Fluid Temperature:
104°F (40°C) Continuous duty rated

Performance Curve

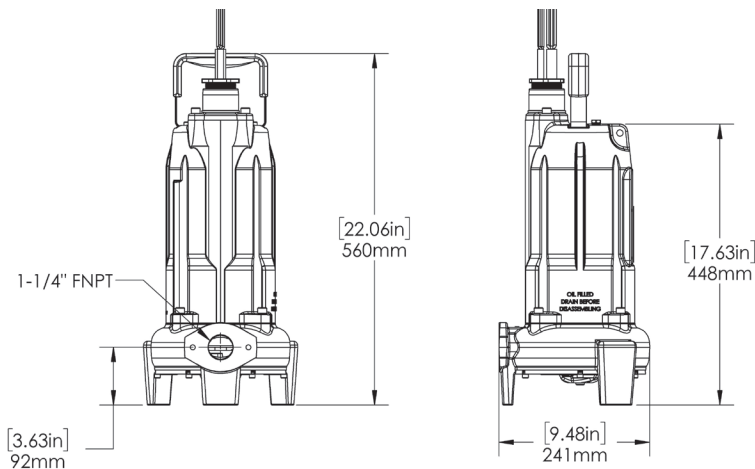
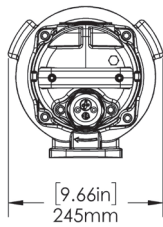
60 Hz 3450 RPM



Models

MODEL	HP	VOLTS	PH	HZ	AMPS	LOCKED ROTOR AMPS	CAPACITOR KIT	DISCHARGE	WEIGHT IN LBS
XLSG208M-2	2	200 VAC	1	60	18.1	66.5	K001640	1-1/4"	123
XLSG202M-2	2	230 VAC	1	60	15	64.3	K001641	1-1/4"	123
XLSG203M-2	2	200/230 VAC	3	60	12	39.2	N/A	1-1/4"	123
XLSG204M-2	2	460 VAC	3	60	6.2	19.6	N/A	1-1/4"	123
XLSG205M-2	2	575 VAC	3	60	5	16.3	N/A	1-1/4"	123

Dimensional Data



GR20NS non-sparking guide rail for hazardous location installations. (sold separately)

Specifications subject to change without notice.

Copyright © Liberty Pumps, Inc. 2022 All rights reserved. LLIT006785-R12/22

Liberty Pumps - 7000 Apple Tree Avenue - Bergen, New York 14416
Phone 800-543-2550 - Fax 585-494-1839 - LibertyPumps.com