

XLSGX200-SERIES

2-Stage High Head Grinder Pump for Hazardous Locations

Liberty Pumps®

A Family and Employee Owned Company

X-Series™

2 hp

1-1/4" Discharge

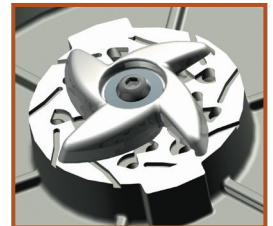
Class 1, Division 1, Groups C and D T4
Class 1, Zone 1, Groups IIA and IIB T4

For sewage applications where hazardous location ratings are required. Applications include groups of homes, commercial buildings, schools, lakefront development and systems requiring high pressure sewage pumping.

Features

- Patented V-Slice® Cutter Technology provides unmatched shredding performance of wipes, disposable cleaning pads, rags and other difficult solids
- 440 hardened stainless steel cutter and plate
- Stainless steel impellers
- Dual mechanical seals – silicon carbide with Viton® elastomers
- Seal fail sensor
- 1-1/2" threads provided at power cords for optional conduit connection

For use with ISS and ISD-Series (intrinsically safe) panels.
Consult factory for proper panel sizing



V-Slice® Cutter Technology



Patent: See
www.libertypumps.com/patents



innovate. evolve.

XLSGX200-Series



Construction

Pump and Motor Housing: Heavy cast iron - Class 30

Impeller: Two impellers, both stainless steel

Motor: Submersible type, oil-filled, hermetically sealed

Shaft: 300 Series stainless steel

Bearings: Ball bearings upper and lower

Thermal Protection: Single-phase models use integrated thermal protection with automatic reset; 3-phase models require overload relays in the pump control panel

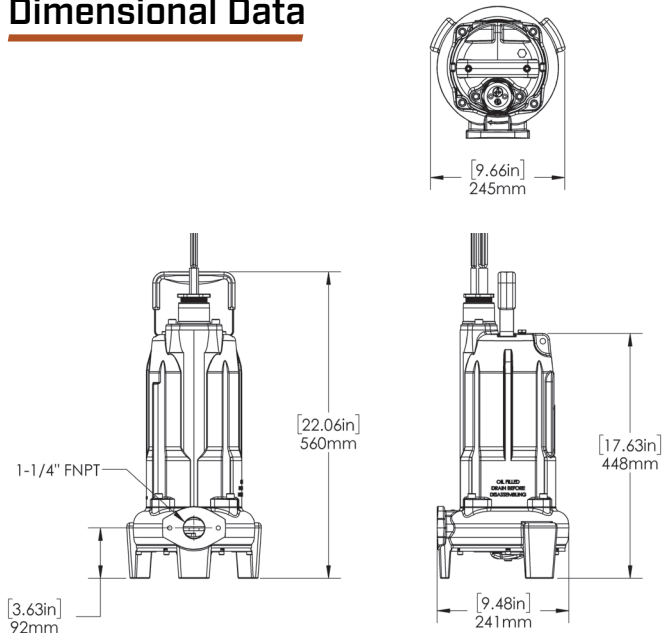
Capacitor: Single-phase pumps require start and run capacitors as well as a start relay which is located in the pump control panel

Shaft Seal: Dual mechanical seals – silicon carbide with Viton® elastomers

Seal Fail Sensor: Integral moisture sensing probe (functionality requires indicator in panel – see ISS or ISD-series panels)

Maximum Fluid Temperature:
104°F (40°C) Continuous duty rated

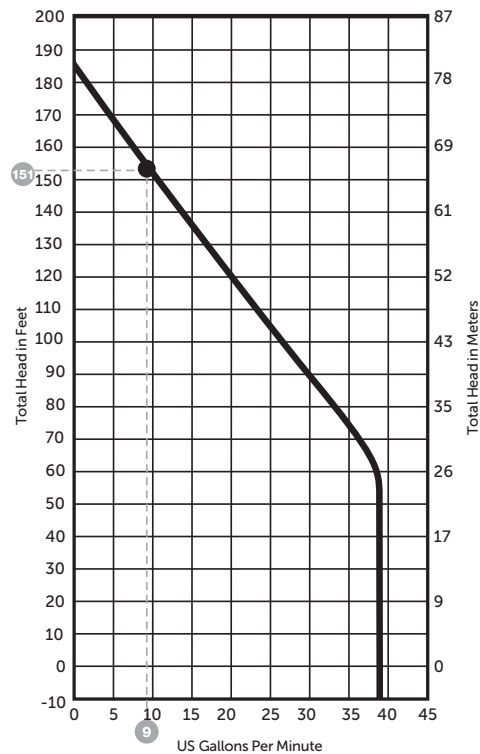
Dimensional Data



GR20NS non-sparking guide rail for hazardous location installations. (sold separately)

Performance Curve

60 Hz 3450 RPM



Models

| MODEL | HP | VOLTS | PH | HZ | AMPS | LOCKED ROTOR AMPS | CAPACITOR KIT | DISCHARGE | WEIGHT IN LBS |
|-------------|----|-------------|----|----|------|-------------------|---------------|-----------|---------------|
| XLSGX208M-2 | 2 | 200 VAC | 1 | 60 | 20 | 66.5 | K001640 | 1-1/4" | 127 |
| XLSGX202M-2 | 2 | 230 VAC | 1 | 60 | 20 | 64.3 | K001641 | 1-1/4" | 127 |
| XLSGX203M-2 | 2 | 200/230 VAC | 3 | 60 | 13.5 | 39.2 | N/A | 1-1/4" | 127 |
| XLSGX204M-2 | 2 | 460 VAC | 3 | 60 | 6.7 | 19.6 | N/A | 1-1/4" | 127 |
| XLSGX205M-2 | 2 | 575 VAC | 3 | 60 | 5.3 | 16.3 | N/A | 1-1/4" | 127 |

25' cords are standard. For 35' or 50' cord, add "-3'" or "-5'" suffix. Example: XLSGX202M-5 for 50' cord.

All X-Series grinders require the use of Liberty Pumps ISS or ISD control panels. Please contact the factory for assistance in panel selection.

Capacitor kit includes: Run Cap, Start Cap, Start Relay